

Ohio Department of Health

Private Water System Site Plan – Additional Plans

This three part form may be used *in addition* to the Permit Site Plan HEA 5204 as per OAC rule 3701-28-03 (E) and (F). These forms should be completed for private water systems supplying water to multiple dwellings and buildings and Ponds, Cisterns, and Springs used for the use as a private water system.

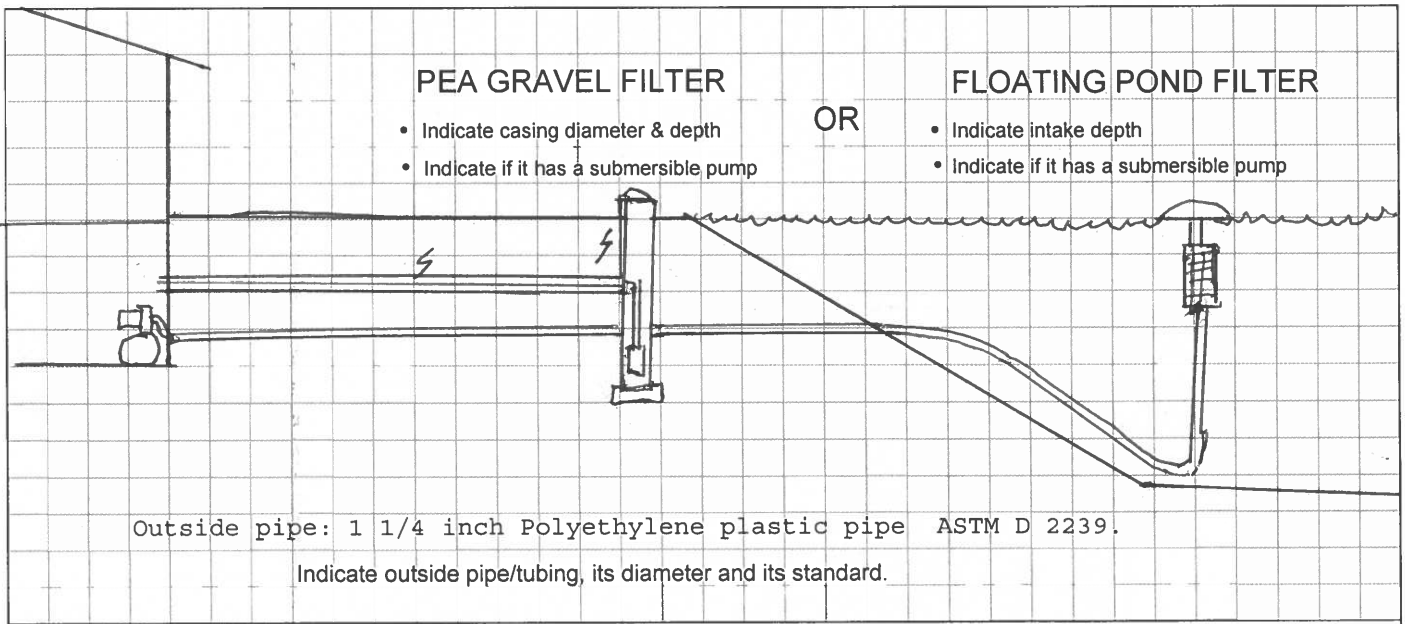
Health District Defiance County	Permit Number
Owner / Applicant Sargent Pepper	
Property Address 1452 Penny Lane, Lonelypeople, OH	
Prepared by Water Form Filler, Inc.	

Complete all of the following information for the work being performed.

- Number of individuals to be served by this system (if building or multiple family dwelling or multiple dwelling units): 5
- List all materials, including the make and model number, to be used in construction, installation, or alteration of the private water system. Include Casing, Grout, Pitless Adapters, Pumps, Backflow Devices, Pressure Tank, Piping and Fittings, Hydrants, Disinfection equipment, Tanks, and any other materials used. If more space is needed, attach a separate list to this form.

Sammons WF2 pitless adapter set at 40" below grade.
 Wodruff model S4 sanitary hydrant.
 Wine BVQ backflow prevention device, meets ASTM 1015.

- Provide a cross sectional drawing below showing a) water source, b) the water distribution piping from the source to all service connections, and c) the locations, layout, and type of all water systems equipment. Disinfection and filtration equipment must be completed on page 2 of this form.



Comments
 Cased intake is 6' deep and 5" in diameter with a Merric submersible pump. Mercy well cap D5S.
 or
 Billing floating filter with 0.0043 inch filtration suspended at 20" below the water surface.

Ohio Department of Health

Private Water System Site Plan – Additional Plans for Ponds

Health District Defiance County	Permit Number	Property Address 1452 Penny Lane, Lonelypeople, OH
------------------------------------	---------------	---

NOTE: This form may be used *in addition* to the Permit Site Plan HEA 5204 as per OAC rule 3701-28-03 (E) and (F).
Complete all of the following information for the work being performed.

